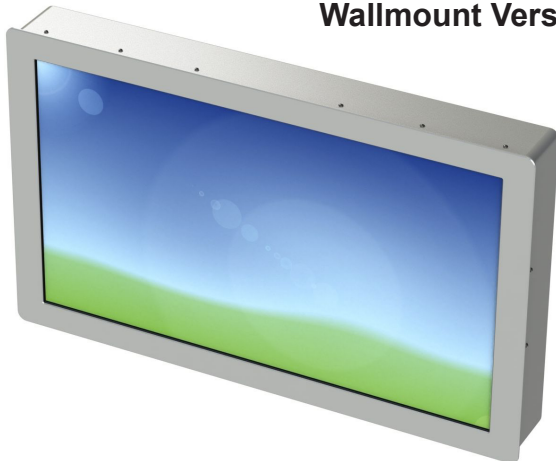
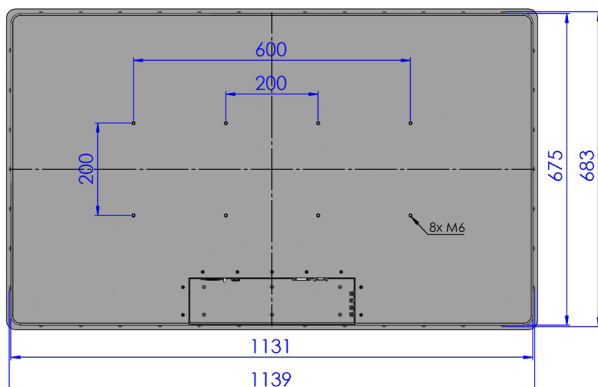
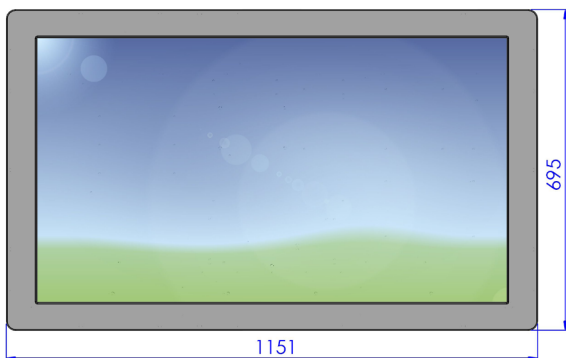
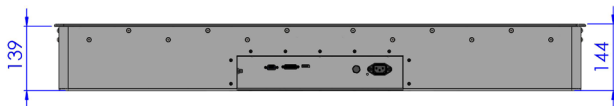


LCD46WO-7G

Wallmount Vers.1



- Optional IP65 all around (waterproof)
- Optional wide temperature operating



Specifications

LCD Panel

Display Type	46" TFT LCD
Resolution	1920 x 1080
Colors	16.7M
Brightness	500cd/m ² (typ.)
<i>option</i>	Sunlight readable (>800cd/m ²)
Viewing Angle	178° H, 178° V (typ.)

Interface

VGA Input	HD-Sub 15pin, DVI
<i>option</i>	HDMI®, DisplayPort™
<i>option</i>	Video Input - Composite, S-Video, PAL/NTSC, SDI
OSD Control	Brightness, Contrast, Phase, Size, Sharpness, Auto Adjust, etc.

Mechanical

Construction	Aluminium front panel and chassis, powder coated
Color	RAL 9005, 7035, 7032, 9006, etc.
Front Dimension	1151 x 695 x 5mm
Cover Dimension	1131x 675 x 139mm, (w/o screws)
Mounting	VESA 600 x 200mm (8 x M6)

Electrical

Power Supply	115/230V AC, 50/60Hz
<i>option</i>	24V, 48V DC

Environmental

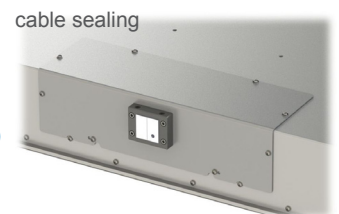
Temperature	Storage -20°C to 60°C Operating 0°C to 45°C
Humidity	max. 90% RH, non condensing

Options

Control	Infrared
Audio	2 x loudspeaker
Protection glass	anti glare, IP65 on frontside
Touchscreen	Projected Capacitive
Waterproof	IP65 all around
Wide Temperature	Operating -20°C to 50°C
AC adapter	
Cable sealing →	
other options on request	

Accessories (included)

- Power-cord
- VGA-cable
- DVI-cable



The terms HDMI and HDMI High-Definition Multimedia Interface, and the HDMI Logo are trademarks or registered trademarks of HDMI Licensing, LLC in the United States and other countries. DisplayPort™ and the DisplayPort™ logo are trademarks owned by the Video Electronics Standards Association (VESA®) in the United States and other countries.

Dimensions in mm

8K

All rights reserved. Specifications subject to change without prior notice