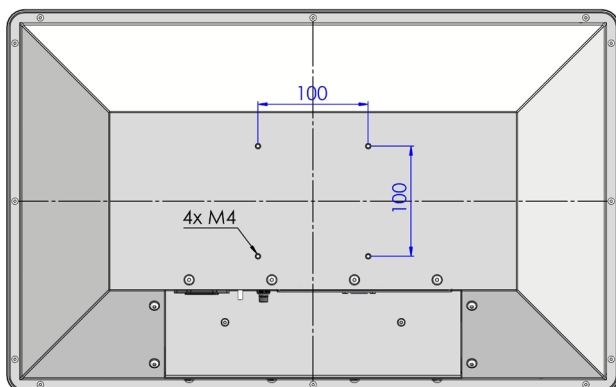


PPC21WDPC-7C

Desktop



- Projected Capacitive Touchscreen
- IP65 on frontside



Specifications

LCD Panel

Display Type	21.5" TFT LCD
Resolution	1920 x 1080
Colors	16.7M
Backlight	LED
Brightness	250cd/m ² (typ.)
Viewing Angle	178° H, 178° V (typ.)

Touchscreen

Projected Capacitive Touchscreen via USB

PC System

Processor/ Memory	Intel® Celeron®, Quadcore 2.0GHz/ up to 8GB RAM
<i>option</i>	Intel® Core™ i3, i5, i7, 6th Gen./ up to 16GB RAM
Storage	Solid State Disk, up to 1TB
<i>option</i>	2,5" HDD, up to 1TB
I/O Port	1 x LAN 2 x USB 2.0

more/ other I/O-Ports on request

Mechanical

Construction	Powder coated aluminum front panel with recessed protection glass and PCAP touch screen, powder coated steel chassis
Color	RAL 9005, 7035, 7032, 9006, etc.
Dimension	556 x 348 x 72mm, (w/o screws)
Mounting	VESA 100 x 100mm (4 x M4)

Electrical

Power Supply	115/230V AC, 50/60Hz
<i>option</i>	12V, 24V DC

Environmental

Temperature	operating 0°C to 50°C storage -20°C to 60°C
Humidity	max. 90% RH, non condensing
Protection	IP65 on frontside

Options

Operating System	Microsoft® Windows® 7 Pro ¹ Microsoft® Windows® 10 Pro Microsoft® Windows® Embedded
Protection glass	anti glare, IP65 on frontside
Touchscreen	Projected Capacitive
WLAN	802.11ac, 802.11a/b/g/n
Waterproof	IP65 all around
Wide Temperature	Operating -20°C to 50°C
AC adapter	

other options on request

Accessories (included)

Power-cord

¹ with Intel® Celeron® processor only
Microsoft® and Windows® are trademarks of the Microsoft® Corporation in the U.S. and other countries.

Intel®, Celeron®, Pentium®, Intel® Core™ and Intel® Atom™ are trademarks of the Intel Corporation in the U.S. and other countries.