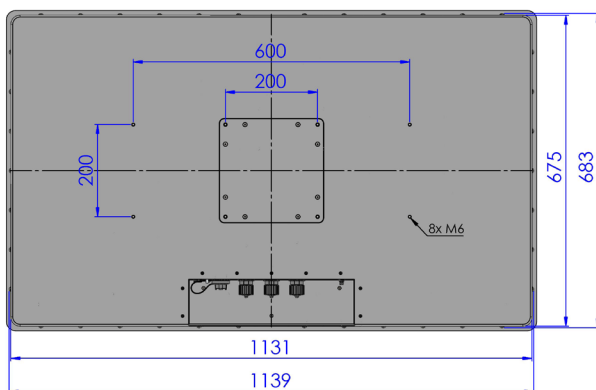
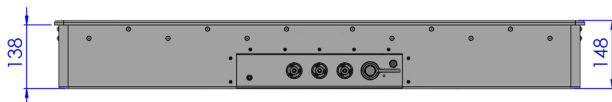


PPC46WOC-7G

Wallmount Vers.1



- Projected Capacitive Touchscreen
- Optional IP65 all around (waterproof)
- Optional wide temperature operating



Specifications

LCD Panel

Display Type	46" TFT LCD
Resolution	1920 x 1080
Colors	16.7M
Brightness	500cd/m ² (typ.)
<i>option</i>	Sunlight readable (>800cd/m ²)
Viewing Angle	178° H, 178° V (typ.)

PC System

Processor/ Memory	Intel® Celeron®, Quadcore 2.0GHz/ up to 8GB RAM
<i>option</i>	Intel® Core™ i3, i5, i7, 6th Gen./ up to 16GB RAM
Storage	Solid State Disk, up to 1TB
<i>option</i>	2,5" HDD, up to 1TB
I/O Port	1 x LAN 2 x USB 2.0

more/ other I/O-Ports on request

Mechanical

Construction	Powder coated aluminum front panel with recessed protection glass and PCAP touch screen, powder coated aluminium chassis
Color	RAL 9005, 7035, 7032, 9006, etc.
Front Dimension	1151 x 695 x 10mm
Cover Dimension	1131 x 675 x 138mm, (w/o screws)
Mounting	VESA 600 x 200mm (8 x M6)

Electrical

Power Supply	115/230V AC, 50/60Hz
<i>option</i>	24V, 48V DC

Environmental

Temperature	Storage -20°C to 60°C Operating 0°C to 45°C
Humidity	max. 90% RH, non condensing

Options

Operating System	Microsoft® Windows® 7 Pro ¹ Microsoft® Windows® 10 Pro Microsoft® Windows® Embedded
WLAN	802.11ac, 802.11a/b/g/n
Waterproof	IP65 all around
Wide Temperature	Operating -20°C to 50°C
AC adapter	
<i>other options on request</i>	

Accessories (included)

Power-cord	
Waterproof LAN-Cable-Connector	

¹ with Intel® Celeron® processor only

Intel®, Celeron®, Pentium®, Intel® Core™ and Intel® Atom™ are trademarks of the Intel Corporation in the U.S. and other countries.
Microsoft® and Windows® are trademarks of the Microsoft® Corporation in the U.S. and other countries.

Dimensions in mm

8K

All rights reserved. Specifications subject to change without prior notice