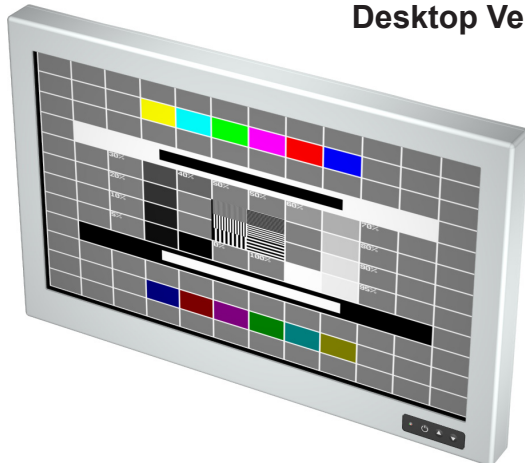
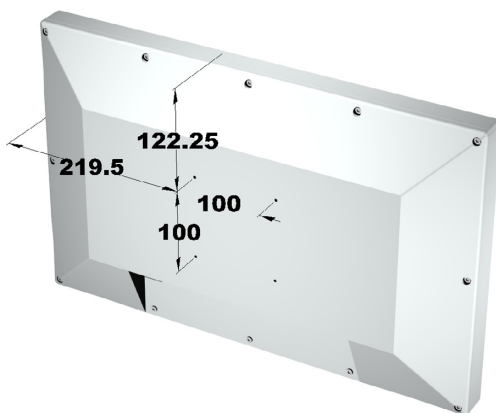
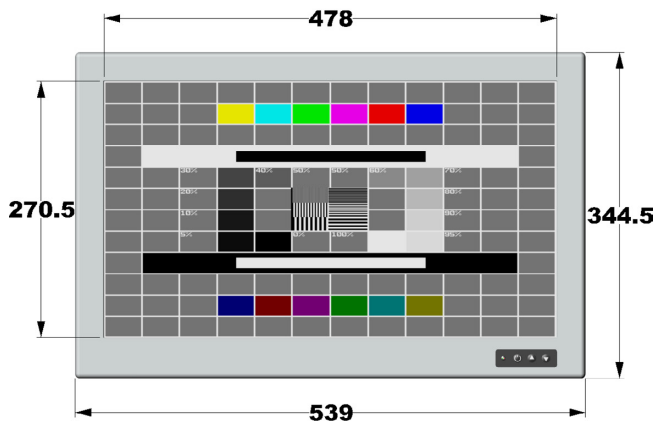


LCD21WDM

Desktop Vers.M



- optional IP65 all around
- optional projected capacitive touchscreen
- optional operating temperature -20°C to 50°C



Specifications

LCD Panel

Display Type	21.5" TFT LCD
Resolution	1920 x 1080
Colors	16.7M
Brightness	250cd/m ² (typ.)
Viewing Angle	178° H, 178° V (typ.)

Interface

VGA Input	HD-Sub 15pin, DVI
<i>option</i>	Video Input - Composite, S-Video, PAL/NTSC, SDI
OSD Control	Brightness, Contrast, Phase, Size, Sharpness, Auto Adjust, etc.

Mechanical

Construction	milled aluminium chassis, powder coated RAL 9005, 7035, 7032, 9006, etc.
Dimension	539 x 344.5 x 70mm
Mounting	VESA 100 x 100mm (4 x M4)

Electrical

Power Supply	115/230V AC, 50/60Hz
<i>option</i>	12V, 24V, 48V DC

Environmental

Temperature	operating 0°C to 45°C storage -20°C to 60°C
Humidity	max. 90% RH, non condensing

Options

AC adapter	
Touchscreen	resistive projected capacitive
Protection glass	anti glare (IP65 on frontside)
Waterproof	IP65 all around
Wide Temperature	operating -20°C to 50°C
<i>other options on request</i>	

Accessories (included)

Power-cord, VGA-cable, DVI-cable