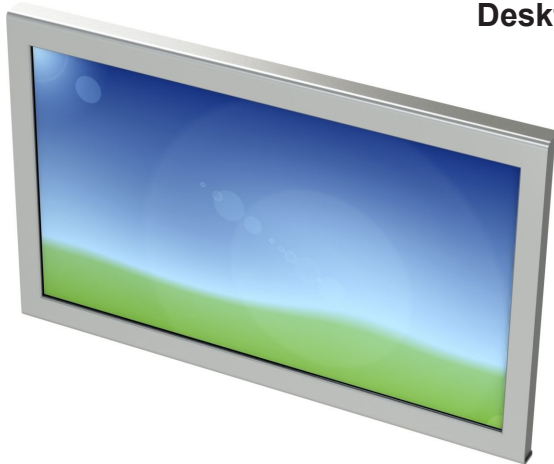
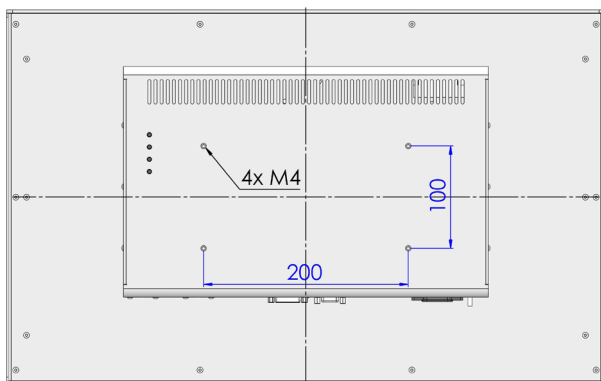


LCD24WDI-5C

Desktop



- Optional Touchscreen



Intel®, Celeron®, Pentium®, Intel® Core™ and Intel® Atom™ are trademarks of the Intel Corporation in the U.S. and other countries.
Microsoft® and Windows® are trademarks of the Microsoft® Corporation in the U.S. and other countries.

Specifications

LCD Panel

Display Type	24" TFT LCD
Resolution	1920 x 1080
Colors	16.7M
Backlight	LED
Brightness	300cd/m ² (typ.)
Viewing Angle	178° H, 178° V (typ.)

Touchscreen

Projected Capacitive Touchscreen via USB

Interface

VGA Input	HD-Sub 15pin, DVI
<i>option</i>	HDMI®, DisplayPort™
<i>option</i>	Video Input - Composite, S-Video, PAL/NTSC, SDI
OSD Control	Brightness, Contrast, Phase, Size, Sharpness, Auto Adjust, etc.

Mechanical

Construction	Aluminium front panel and steel chassis powder coated
Color	RAL 9005, 7035, 7032, 9006, etc.
Dimension	585 x 366 x 70mm, (w/o screws)
Mounting	VESA 200 x 100mm (4 x M4)
Protection	IP41 on frontside
<i>option</i>	Anti glare protection glass

Electrical

Power Supply	115/230V AC, 50/60Hz
<i>option</i>	12V, 24V DC

Environmental

Temperature	operating 0°C to 50°C storage -20°C to 60°C
Humidity	max. 90% RH, non condensing
Protection	IP65 on frontside

Options

AC adapter
VESA-Mount Desktop-Stand
Touchscreen, resistive
other options on request

Accessories (included)

Power-plug, VGA-cable, DVI-cable

¹ with Intel® Celeron® processor only