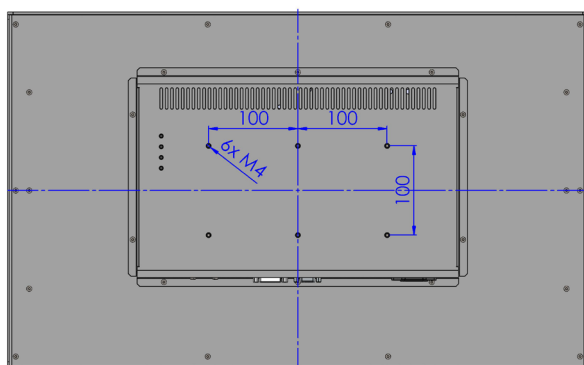
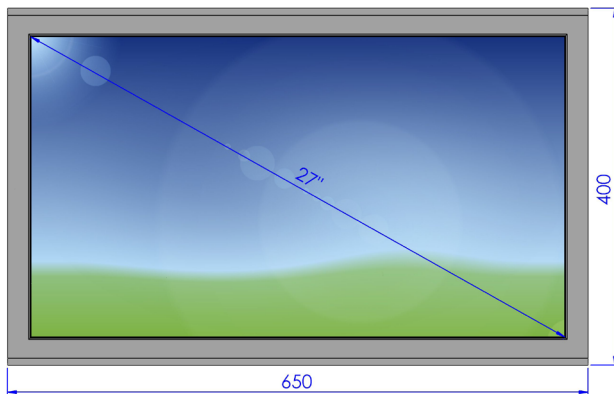
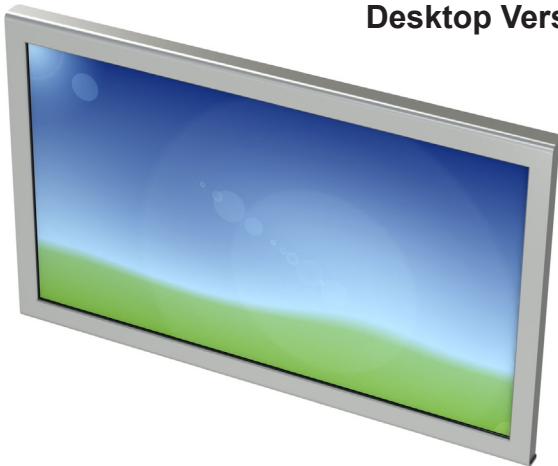


LCD27WDI-01

Desktop Vers. 4



Specifications

LCD Panel

Display Type	27" TFT LCD
Resolution	1920 x 1080
Colors	16.2M
Backlight	LED
Brightness	350cd/m ² (typ.)
Viewing Angle	178° H, 178° V (typ.)

Interface

VGA Input	HD-Sub 15pin, DVI
<i>option</i>	HDMI® , DisplayPort™
<i>option</i>	Video Input - Composite, S-Video, PAL/NTSC, SDI
OSD Control	Brightness, Contrast, Phase, Size, Sharpness, Auto Adjust, etc.

Mechanical

Construction	Aluminium front panel and steel chassis, powder coated
Dimension	650 x 400 x 70.25mm
Mounting	VESA 200 x 100mm (6 x M4)

Electrical

Power Supply	115/230V AC, 50/60Hz
<i>option</i>	24V, 48V DC

Environmental

Temperature	Storage -20°C to 60°C Operating 0°C to 45°C
Humidity	max. 90% RH, non condensing

Options

Protection glass	anti glare, IP65 on frontside
AC adapter	
<i>other options on request</i>	

Accessories (included)

Power-cord
VGA-cable
DVI-cable

The terms HDMI and HDMI High-Definition Multimedia Interface, and the HDMI Logo are trademarks or registered trademarks of HDMI Licensing, LLC in the United States and other countries. DisplayPort™ and the DisplayPort™ logo are trademarks owned by the Video Electronics Standards Association (VESA®) in the United States and other countries.

Dimensions in mm

01

All rights reserved. Specifications subject to change without prior notice