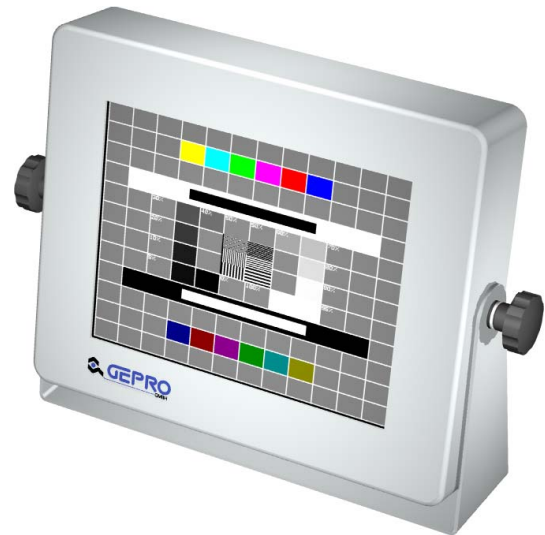


8.4" LCD-TFT-Monitor LCD8 Desktop O

Machine Building
Measurement
Control Engineering
Visualization
Broadcast
CAD
POS / POI



LCD Panel

Display Type	TFT-Panel, diff. manufacturers
Resolution	640x480, opt.800x600,1024x768
Colors	262k, 18bit
Display Area	170.7mm x 128mm
Brightness	250 - 500 Cd/m ²
Contrast	250 - 500 : 1
Response Time	50ms, T _r + T _f
Viewing Angle	130° H, 110° V

Option

Protection Glass	anti glare
Touch Screen	resistive
Power Supply	RS232, USB
	12V DC / 1.5A
	24V DC / 1A
	AC Adapter
Standard Mounting Bracket	
VESA-Mount Desktop-Stand	

Interface

VGA Input	HD-Sub 15pin DVI (opt.)
Video Input	Composite, S-Video, PAL / NTSC SDI (opt.)

OSD Control

PC	Auto adjust, Manual adjust
Video	Auto adjust, Manual adjust

Electrical

Power Supply	115-230V AC, 50-60Hz
--------------	----------------------

Mechanical

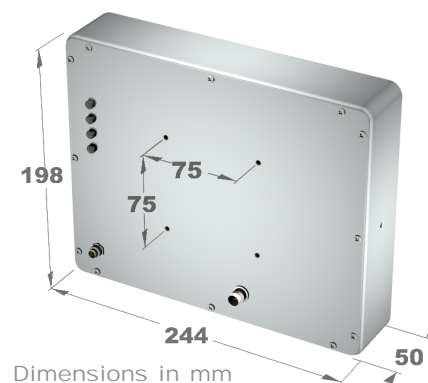
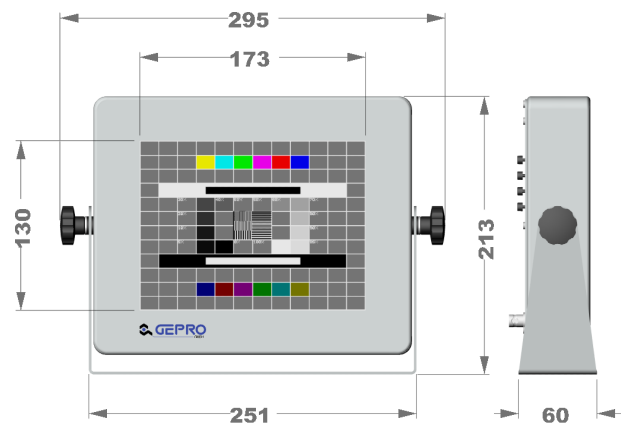
Dimension	244 x 198 x 50mm
Color	RAL 7032, 7035, 9005
Weight	TBD
Mounting	VESA 75 x 75mm

Environmental

Temperature	0°C to 50°C Operating -20°C to 60°C Storage
Humidity	max. 90% RH, non condensing

Accessories

Standard	VGA-cable, power-cord
----------	-----------------------



Dimensions in mm

All rights reserved. Specifications subject to change without prior notice



Neue Strasse 12
35756 Mittenaar

Tel. +49 (0) 2772 64216
Fax. +49 (0) 2772 63779

gepro@t-online.de
www.gepro-gmbh.de